

A

B

C

D

A

B

C

D

1

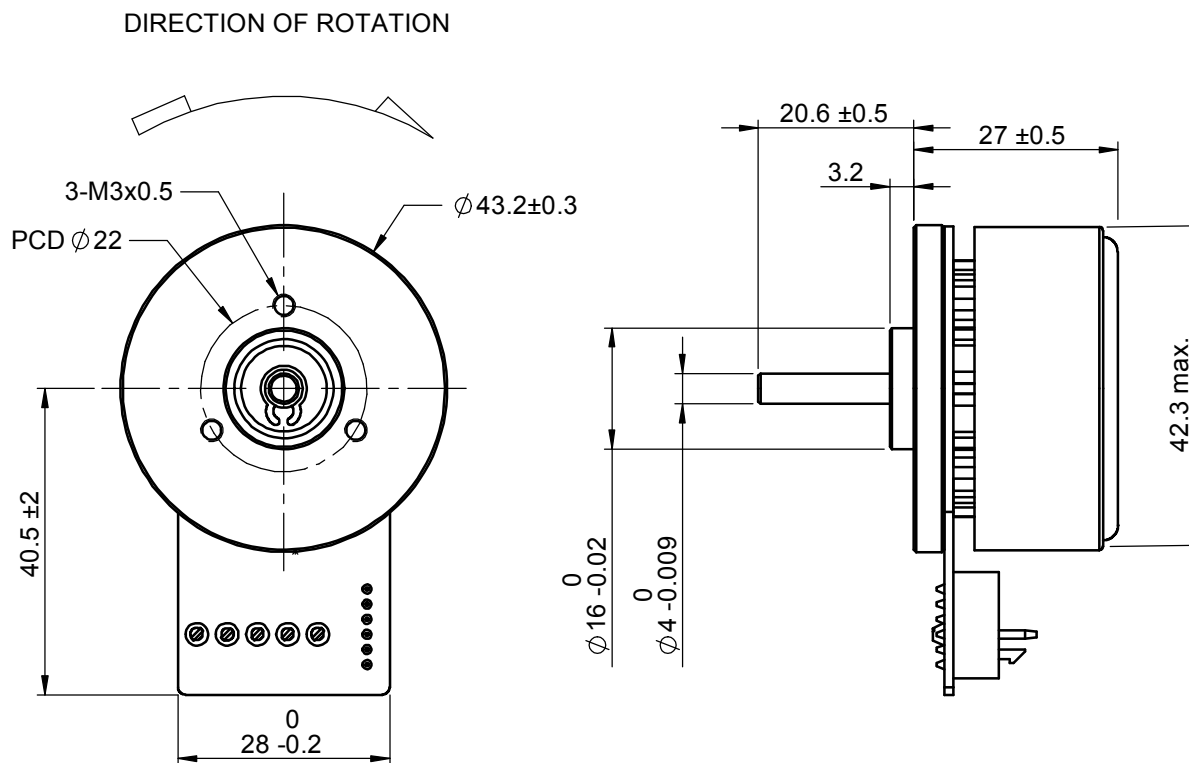
2

3

4

5

6



MODEL		NO LOAD		AT MAXIMUM EFFICIENCY					 THIRD ANGLE PROJECTION ALL DIMENSION ARE IN MM (UNLESS OTHERWISE SPECIFIED)	製圖 設計 審核 材料 完成時間	JANE	Cheshire Electric Company, LLC		
NOMINAL	24V DC	SPEED RPM	CURRENT A	SPEED RPM	CURRENT A	TORQUE g-cm	OUTPUT W	EFF %			Part No	Name	REV. NO.	A
JB43-C0G1B475		5650	0.33	4839	1.96	830	42.2	89.7	繪製比例: 1:1	2015/4/28	DC Brushless motor			

1

2

3

4

5

6